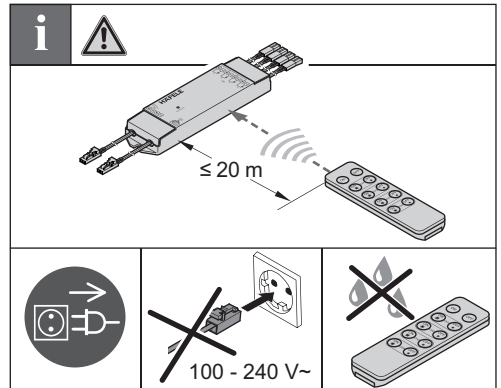
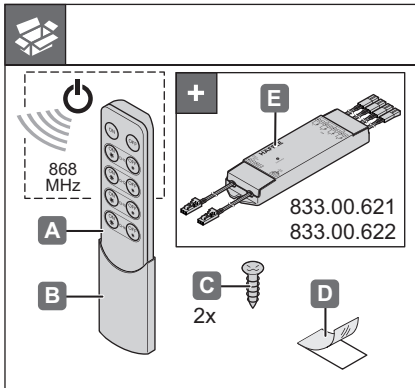


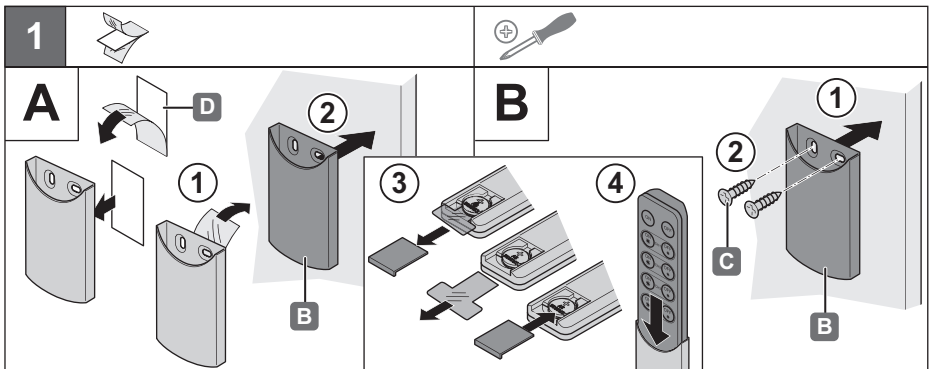
833.00.620

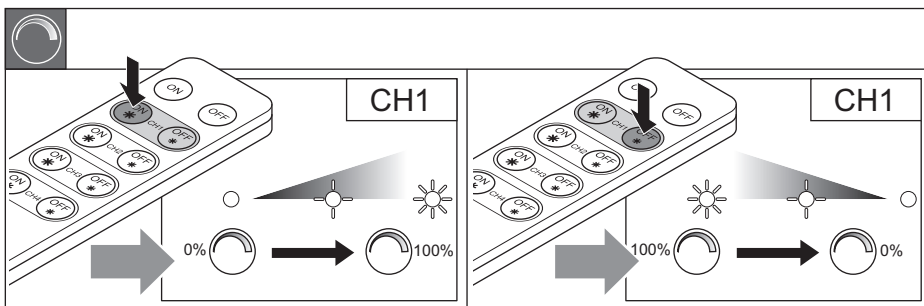
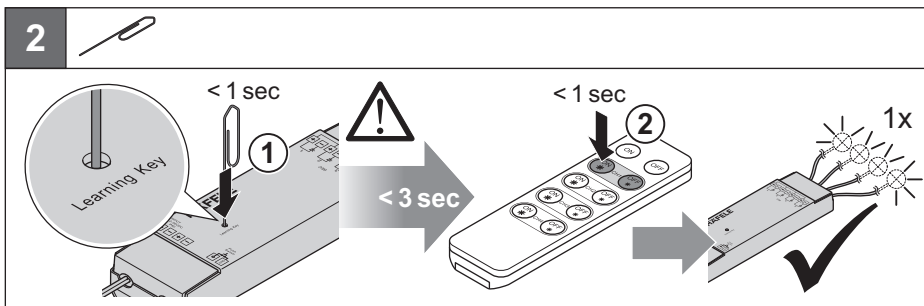
<div style="border: 1px solid black; padding: 2px; width: fit-content;">12 V System</div> <div style="border: 1px solid black; padding: 2px; width: fit-content; margin-top: 5px;">24V System</div>	T_A	f		 mm	 mm
833.00.620	0 °C – +35 °C +32 °F – +95 °F	868 MHz	CR2032 (3V) 002.99.032	137 x 40 x 11,7	147 x 50 x 21,7

732.28.312



HDE 05/2014





732.28.312

